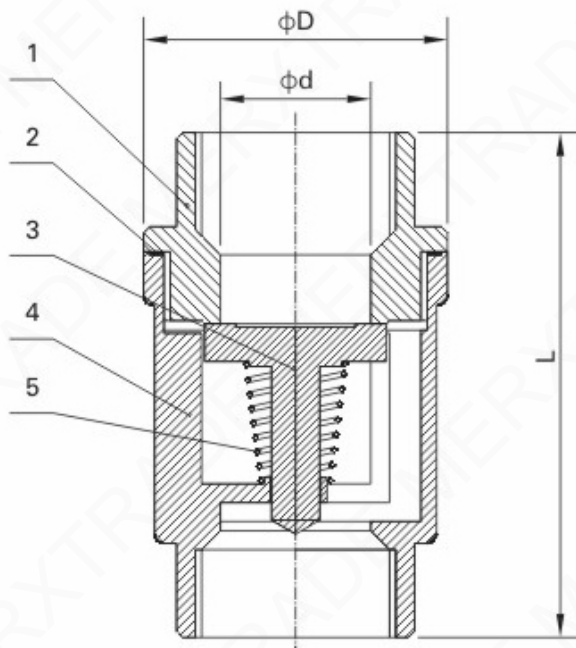


# Stainless Steel Spring Assisted Check Valve

- BSP threads
- Can be installed in any position



Working Temperature:  
-25°C to +180°C



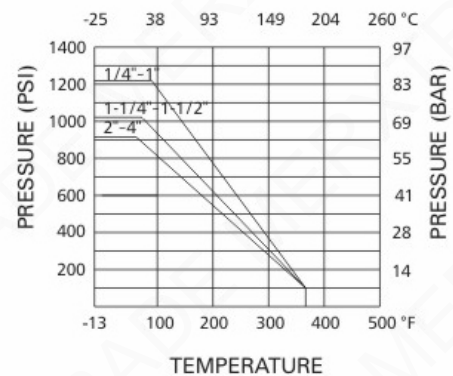
Maximum Working Pressure:  
63 bar

	Part Description	Material
1	Cap	CF8M
2	Body Gasket	PTFE
3	Disc	CF8M
4	Body	
5	Spring	SS 316

## Dimensions

Size	DN	Ød	ØD	L	Kg
1/4"	8	8	30.50	53	0.17
3/8"	10	10	30.50	53	0.15
1/2"	15	15	37	56	0.21
3/4"	20	20	42	63	0.29
1"	25	25	48	74	0.40
1.1/4"	32	30	58	81	0.65
1.1/2"	40	38	70	91	0.98
2"	50	47	82	97	1.40

PRESSURE-TEMPERATURE RATING



# Stainless Steel Spring Assisted Check Valve

## Opening Pressure

Size	DN	psi
1/4"	8	1.20 - 1.30
3/8"	10	0.90 - 1
1/2"	15	0.80 - 0.90
3/4"	20	0.80 - 0.90
1"	25	0.70 - 0.80
1.1/4"	32	0.50 - 0.60
1.1/2"	40	0.40 - 0.50
2"	50	0.40 - 0.50

## Cv Values

Size	DN	gpm
1/4"	8	0.21
3/8"	10	1.28
1/2"	15	3.81
3/4"	20	8.21
1"	25	14.70
1.1/4"	32	16.30
1.1/2"	40	26
2"	50	36.40